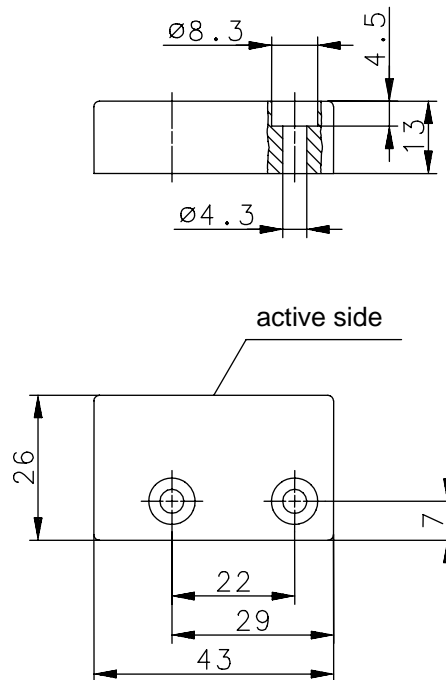


Switching magnet

Type designation **TK-52-CD/2 TÜV**

Item number **6402052311**



Characteristic features

Mechanical data

Housing	PBT black (encapsulated magnets)
Magnet	Hartferrit
Ambient air temperature	-20°C ... +80°C
Application	Magnetgrenztaster vom Typ MAx-5236-x
Assembly position	optional
Pollution degree	3 according to EN 60947-1

This document will not become the contractual basis; the details included herein do not constitute any descriptions of expected conditions, so that warranties/claims for defects on account of possible variations of the actual from the here described condition are excluded. Subject to modifications and amendments.

Date of issue: 11.07.2007 / Page 1 of 1
Document: 6402052311_en.doc / Last update: 2 / 0346-07